

Marine Generator Sets



C6.6 ACERT®

CATERPILLAR®

C6.6 ACERT GENERATOR SETS

Standard Equipment

- Common rail fuel system
- Turbocharger
- Mounted air cleaner
- Fuel (primary and secondary) and oil filters
- Cold start aid — glow plugs
- 12 & 24 volt starter motor and battery charging alternator
- EMCP3 control panel with remote monitoring capability
- Charge air cooler
- Primary fuel filter with water separator
- Duplex oil filter



Optional Attachments

- On-board spars and tool kit
- Instrumentation
- Duplex primary or secondary fuel filter
- Governor droop kit (enables paralleling with appropriate customer-supplied switch gear)
- Remote expansion tank kit
- Double wall fuel lines
- Space heater kit
- Air starter
- Jacket water heater

MCS Approved Packages

The C6.6 ACERT generator set is available direct from our factory in Marine Classification Society (MCS) approved packages — with EPA Tier 2 emissions compliance. These packages meet MCS requirements for manned and unmanned engine rooms, including emergency applications, and come with certification documentation. The single-source consistency and standardized quality of the MCS program provides streamlined procurement, installation, and servicing, with:

- Factory completion of torsional vibration calculations and installation of alarm, shutdown, and all mechanical additions
- Complete factory testing
- Controlled packaging environment
- Easier shipyard installation with no re-packaging required
- Simplified servicing with established component and packaging standards



MCS Control Panel

YOUR MOST VALUABLE CARGO



CAT® POWER. No matter how far out you need to go, or how rough it gets, power solutions from Caterpillar can drive your vessel — and your work — like no other brand. When you take Cat engine expertise out to sea, you'll never be alone. You'll have the most dependable power available, and the world's largest, most responsive support network with you every day, everywhere.

Saves space, saves stress

The C6.6 ACERT® generator set is the latest in a line of innovative marine power products from Caterpillar that pack big performance and efficiency advantages into amazingly compact units. The C6.6 ACERT delivers up to 170 kW, yet you'll almost forget it's even on board. From easy installation; through clean, quiet, smooth operation; to long service intervals... the C6.6 ACERT does its job so you can focus on yours.



Delivers more...

Power

The electronic control of the 6.6 liter engine with ACERT Technology simultaneously optimizes fuel economy and performance while meeting the most stringent emissions standards. The electronic governor ensures power quality that's suitable for sophisticated equipment, such as computers and other electronics.

Economy

Competitive pricing, outstanding fuel efficiency, extended service intervals, and ultra long life, all contribute to the overall low owning and operating costs of the C6.6 ACERT.

Environmental responsibility

The C6.6 ACERT is IMO emission-compliant; both 60 Hz and 50 Hz meet EPA Tier II regulations.

Peace of mind

The Caterpillar 12-month warranty and available Extended Service Coverage keep the C6.6 ACERT — and your operation — on a smooth course.

Flexibility

C6.6 ACERT packages offer six ratings. Three standard cooling options are also available: Sea water after cooling, keel cooling, and radiator cooling. In addition, the C6.6 ACERT is compatible with a variety of fuels, including kerosene, jet aviation fuel, and 20 percent bio-fuel.

Safety

Automatic safety shutdowns include low oil pressure, high water temperature, and overspeed.



MARINE GENERATOR SET RATINGS

COOLING	CYCLES	kVA	ekW @ .8 pf
HEX	60 Hz	156	125
HEX	60 Hz	187	150
HEX	60 Hz	212	170
HEX	50 Hz	125	100
HEX	50 Hz	156	125
HEX	50 Hz	178	143
Radiator	60 Hz	150	120
Radiator	60 Hz	175	140
Radiator	60 Hz	200	160
Radiator	50 Hz	125	100
Radiator	50 Hz	150	120
Radiator	50 Hz	169	135

FEATURES & BENEFITS

GEAR-DRIVEN SEA WATER AND JACKET WATER PUMPS

improve durability (fail-safe operation)

500-HOUR SERVICE INTERVAL

reduces service costs

HIGH BLOCK LOADING CAPABILITY

300% SHORT CIRCUIT CURRENT

needed to start large loads like air conditioning units

CRANKCASE VENTILATION SYSTEM

eliminates crankcase fumes

ISO9001:2000 MANUFACTURING FACILITY

ENVIRONMENTALLY FRIENDLY

Low emission, noise, and vibration levels

HEAVY-DUTY AIR CLEANER

for commercial applications

ONE SOURCE SUPPLY

for propulsion and generator set engines



Specifications

I-6, 4-Stroke-Cycle-Diesel

Displacement — L (cu in).....	6.6 (403)
Bore — mm (in).....	105 (4.13)
Stroke — mm (in).....	127 (5.0)

Refill Capacity — L (U.S. gal)

Cooling system — heat exchanger cooled.....	30 (7.9)
— radiator cooled.....	36 (9.5)
Lube oil system.....	17.5 (4.62)

Oil Change Interval..... 500 hours

Dimensions (HEX Only)

Open Minimum

Length — mm (in).....	1833 (72.2)
Width (with mounting brackets) — mm (in).....	956 (37.7)
Height* — mm (in).....	1315 (51.8)

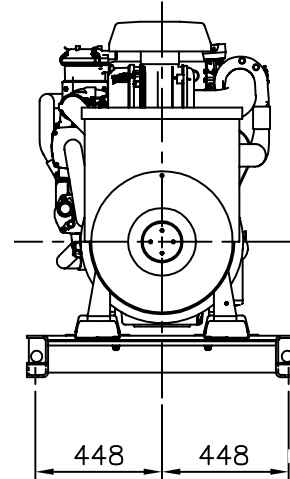
Open Maximum

Length — mm (in).....	2001 (78.8)
Width (with mounting brackets) — mm (in).....	956 (37.7)
Height* — mm (in).....	1315 (51.8)

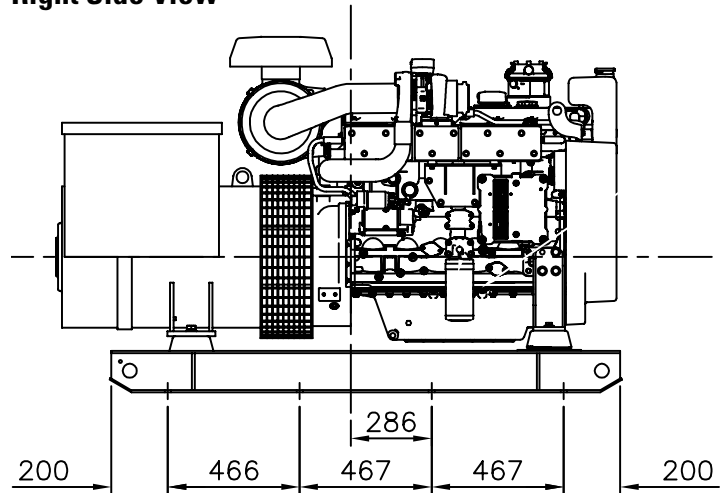
*Caterpillar height dimensions do not include remote-mounted air filter or electronic control panel.

Dimensions

Front View



Right Side View



Learn more about bringing the Cat C6.6 ACERT generator set aboard. Call your Cat dealer or visit MARINE.CAT.COM today.

This is a preliminary document, not to be used for installation design.

LEDM0005-00

©2008 Caterpillar

All rights reserved.

Printed in U.S.A.

CAT, CATERPILLAR, their respective logos, ACERT, "Caterpillar Yellow" and the POWER EDGE trade dress, as well as corporate and product identity used herein, are trademarks of Caterpillar and may not be used without permission.

